

Penn State **Extension**

Beehives and Honey Equipment

Agricultural and Biological Engineering

abe.psu.edu

No. IP 790-32

This Idea Plan is intended to provide educational information and ideas concerning various methods for building gates, stiles, passages, and cattle guards for use with fences. The following attached drawings are based on historical plans and may not meet design and construction standards for your area:

Beehives and Honey Equipment (USDA 84-1)
Solar Beewax Extractor (1969) (PSU 301)
Low Cost Beehive (USDA 6324)
Honeycomb Uncapping Tank and Super Dumping Board (USDA 6325)
5 & 6 Deep Brood Hive (USDA 6327)
Honey Extractor (USDA 6330)

If you decide to build a facility similar to any of these plans, be sure to check building requirements for your area. Your local building inspector, engineer, building supplier, or building contractor can help you determine what is a safe and legal facility for housing rabbits in your area. In addition to the rules and regulations covering design and construction of buildings, be sure to consider how you will handle the manure and potential nuisance problems for neighbors, including flies, odor, and noise.

The Department of Agricultural and Biological Engineering at Penn State has a variety of educational material available related to agricultural and biological engineering. This material is intended to help Pennsylvania farmers and others develop buildings and facilities for modern, environmentally-compatible farm facilities. The material can be used in conjunction with county extension staff, builders, suppliers, consulting engineers, the Natural Resources Conservation Service, financial management advisors, farm lenders, veterinarians, and others to assemble a facilities plan suitable for local conditions.

Publications are available in the areas of agricultural safety and health, animal housing systems, building and farmstead planning, crops and greenhouses, machinery systems and tractors, residential housing, soil and water resources, and solid waste management. Contact your county Penn State Extension Office for more information on these subjects. You can also obtain an index of publications concerning the above areas by calling, writing, faxing or e-mailing:

Department of Agricultural and Biological Engineering
246 Agricultural Engineering Building
University Park, PA, 16802-1909
Telephone: 814-865-7685
Fax: 814-863-1031
Email: agbioeng@psu.edu

An OUTREACH program of the
College of Agricultural Sciences

Penn State College of Agricultural Sciences research and cooperative extension programs are funded in part by Pennsylvania counties, the Commonwealth of Pennsylvania, and the U.S. Department of Agriculture.

Visit Penn State Extension on the web: extension.psu.edu

Where trade names appear, no discrimination is intended, and no endorsement by Penn State Cooperative Extension is implied.

Penn State encourages persons with disabilities to participate in its programs and activities. If you anticipate needing any type of accommodation or have questions about the physical access provided, please contact [Name and phone number] in advance of your participation or visit.

This publication is available in alternative media on request.

The Pennsylvania State University is committed to the policy that all persons shall have equal access to programs, facilities, admission, and employment without regard to personal characteristics not related to ability, performance, or qualifications as determined by University policy or by state or federal authorities. It is the policy of the University to maintain an academic and work environment free of discrimination, including harassment. The Pennsylvania State University prohibits discrimination and harassment against any person because of age, ancestry, color, disability or handicap, national origin, race, religious creed, sex, sexual orientation, gender identity, or veteran status. Discrimination or harassment against faculty, staff, or students will not be tolerated at The Pennsylvania State University. Direct all inquiries regarding the nondiscrimination policy to the Affirmative Action Director, The Pennsylvania State University, 328 Boucke Building, University Park, PA 16802-5901; Tel 814-865-4700/V, 814-863-1150/TTY.

BEEHIVES AND HONEY EQUIPMENT

COOPERATIVE
FARM BUILDING
PLAN EXCHANGE

PLAN
LEAFLET
NUMBER 84-1

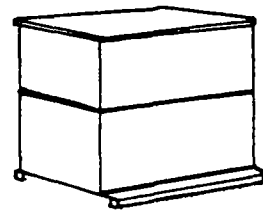
Beekeeping is interesting and can be profitable. It is well suited for small farm operations. The productivity of several crops can be enhanced greatly through pollination by bees kept near the field.

The five plans that are described in this leaflet can help small unit operators keep expenses low by constructing their own equipment.

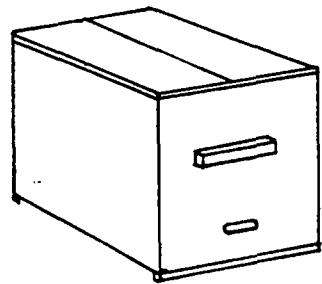
Plan 6324 is a simple, low-cost hive that can be easily crafted on the farm. One hive can be cut from one 1 x 12 piece of lumber and one 1 x 8 piece of lumber, each 10 feet long. The plan shows one brood hive, a super, a base and a cap. Plan 6327 is a taller brood hive than 6324. It has two options, a five-frame-deep unit or a unit with a double row of three frames each.

Although comb honey is marketable, many customers will prefer to have the honey separated from the wax. In Plan 6325, a honeycomb uncapping unit and a dumping board are handy adjuncts for accomplishing this task. Details are given for cutting the 30-gallon dumping tank from a sheet of galvanized iron. If you wish to speed up the separation process, you can uncap the combs and then spin the honey from them using a handcrank operated honey extractor. Plan 6330 shows the detail for a stand and comb holder that holds four combs at a time. The honey passes through an expanded metal screen and into a commercially available pail that is large enough to contain the unit.

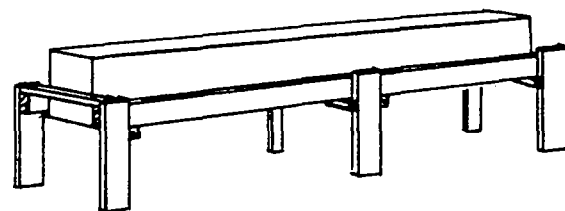
If you wish to let the sun speed up the extraction, use Plan 6265. The sun warms the honey so it flows faster and more completely from the combs.



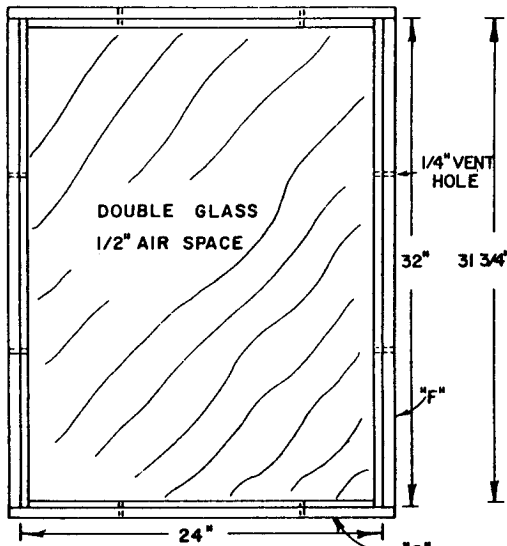
LOW-COST BEEHIVE
PLAN NO. 6324



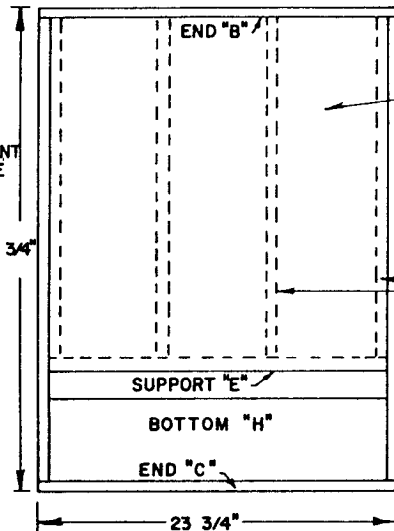
FIVE-FRAME-DEEP BROOD HIVE
PLAN NO. 6327



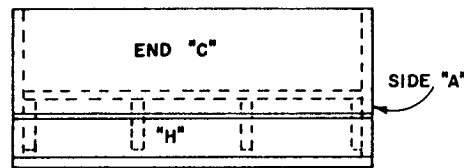
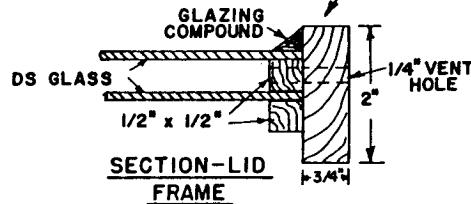
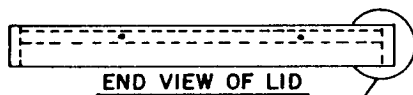
HONEYCOMB UNCAPPING TANK
PLAN NO. 6325



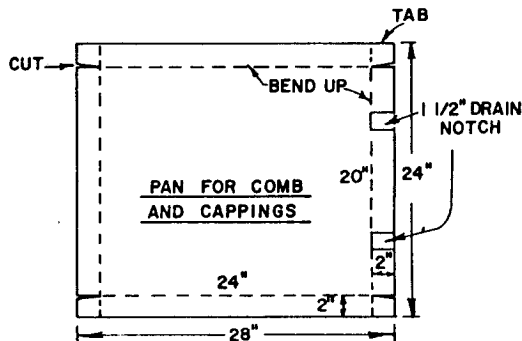
TOP VIEW OF LID



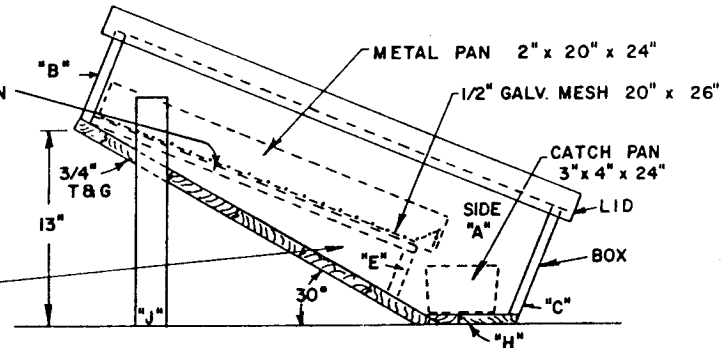
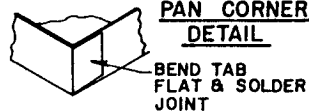
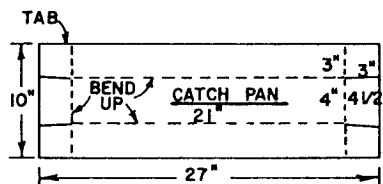
TOP VIEW OF BOX



END VIEW OF BOX



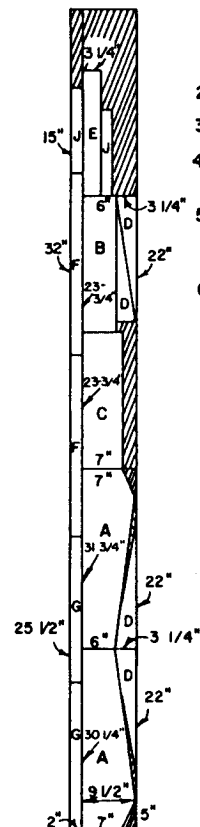
CUTTING DIAGRAMS FOR 24 GA. GALVANIZED STEEL PANS



SIDE VIEW, COMPLETE UNIT

NOTES

1. PAINT INSIDE WHITE.
2. PAINT OUTSIDE BLACK.
3. SEAL ALL CRACKS.
4. PLACE IN PROTECTED PLACE ON SOUTH SIDE OF A BUILDING.
5. REMOVE WAX AND HONEY WHEN MOST COMBS ARE MELTED. THE HONEY SHOULD BE DISCARDED.
6. SEE REVERSE SIDE FOR BILL OF MATERIALS.



CUTTING DIAGRAM

1' x 12' x 12' BOARD -
(3/4" x 11 5/8" x 12')

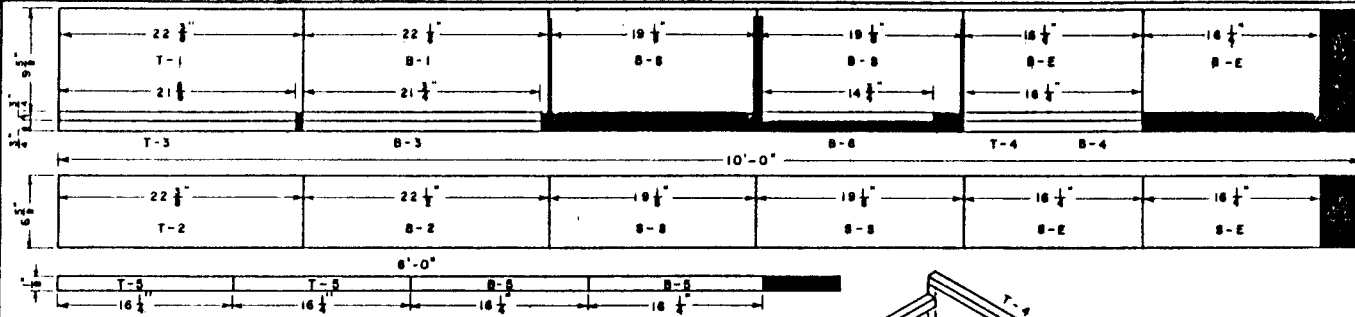
THE PENNSYLVANIA STATE UNIVERSITY
AGRICULTURAL EXTENSION SERVICE

**SOLAR BEESWAX
EXTRACTOR**

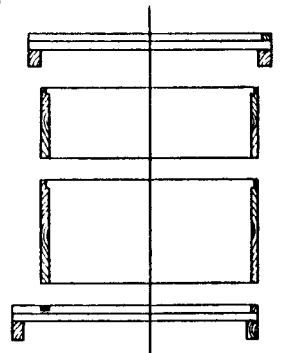
DRWN. BY: SLB
DESIGN: ARG
DATE: 9/1/69

ORDER NO.
790-301

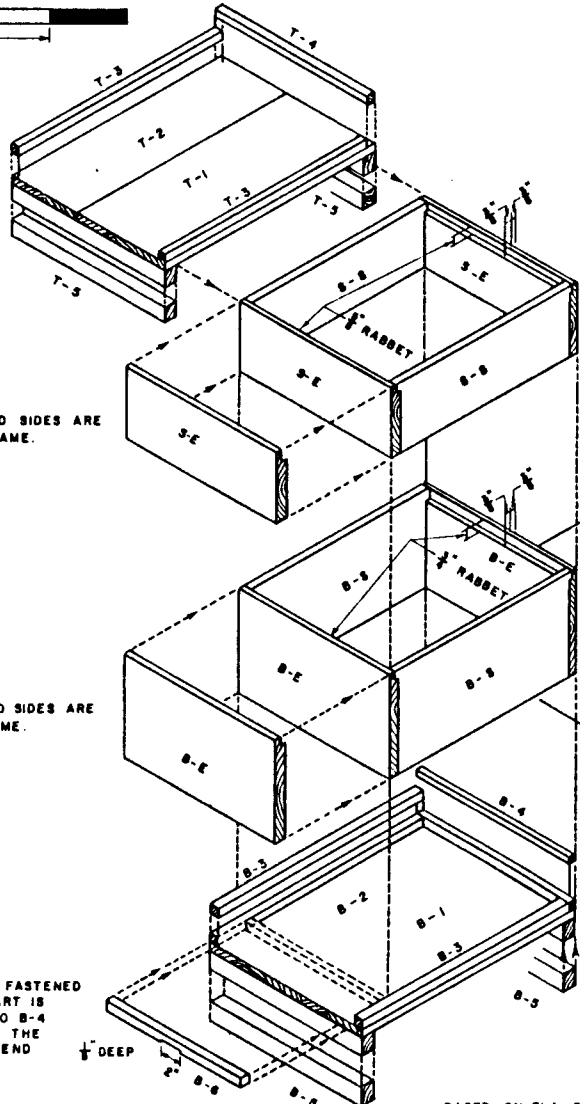
SHEET 1 OF 1



NOTE: DIAGRAM ABOVE SHOWS HOW ONE HIVE CAN BE CUT FROM A 1x12 AND A 1x8, BOTH 10' LONG, AND A 2x2 6' LONG. (1/8" FOR SAW CUT)

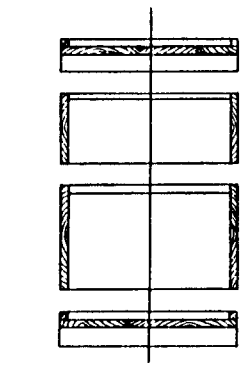


EXPLODED TOP: T-1, T-2, THE TWO T-3'S, T-4, AND THE TWO T-5 PIECES ARE ASSEMBLED TO FORM THE TOP.



SHALLOW SUPER
EXPLODED END VIEW: ENDS AND SIDES ARE ASSEMBLED INTO ONE SOLID FRAME.

BROOD BODY
EXPLODED END VIEW: ENDS AND SIDES ARE ASSEMBLED INTO ONE SOLID FRAME.



SECTION B

EXPLODED BOTTOM: B-1 AND B-2 ARE FASTENED AT EACH END TO A B-5 PART. A B-3 PART IS ATTACHED TO EACH SIDE, BUTTING UP TO B-4 AT THE END. B-6 IS LOCATED BETWEEN THE B-3'S AND DIRECTLY BELOW BROOD BODY END AS SHOWN.

MEANING OF SYMBOLS	
B	BOTTOM
T	TOP
-E	END
-S	SIDE
B-	BROOD BODY
S-	SHALLOW SUPER

SCHEDULE OF PARTS		
SYMBOL	AMOUNT	DIMENSIONS (INCHES)
T-1	1	3/4 x 9 5/8 x 22 3/8
T-2	1	3/4 x 8 5/8 x 22 3/8
T-3	2	3/4 x 3/4 x 21 5/8
T-4	1	3/4 x 3/4 x 16 1/4
T-5	2	1 1/8 x 1 1/2 x 16 1/4
B-3	2	3/4 x 6 5/8 x 19 1/8
B-E	2	3/4 x 6 5/8 x 16 1/4
B-3	2	3/4 x 6 5/8 x 19 1/8
B-E	2	3/4 x 6 5/8 x 16 1/4
B-1	1	3/4 x 6 5/8 x 22 1/2
B-2	1	3/4 x 6 5/8 x 22 1/2
B-3	2	3/4 x 3/4 x 21 3/4
B-4	1	3/4 x 3/4 x 16 1/4
B-5	2	1 1/8 x 1 1/2 x 16 1/4
B-6	1	3/4 x 3/4 x 14 3/4

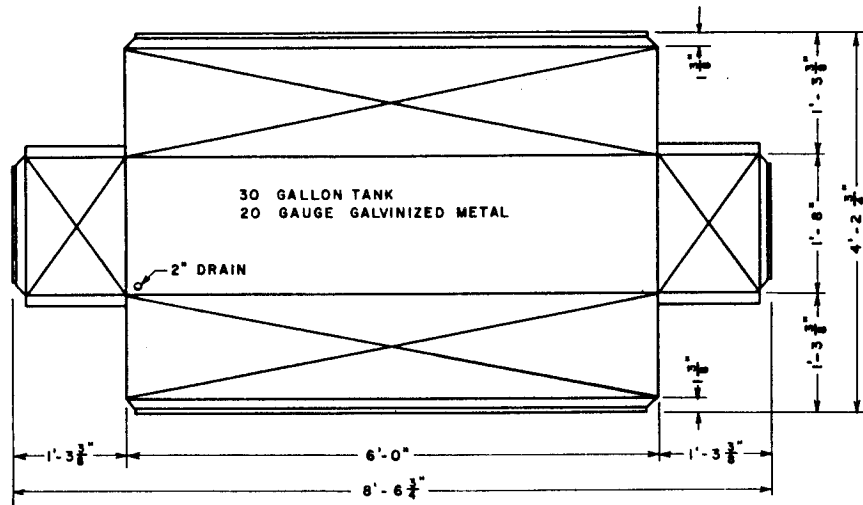
COOPERATIVE EXTENSION WORK IN AGRICULTURE AND HOME ECONOMICS
THE PENNSYLVANIA STATE UNIVERSITY
AND
UNITED STATES DEPARTMENT OF AGRICULTURE COOPERATING

LOW COST BEEHIVE

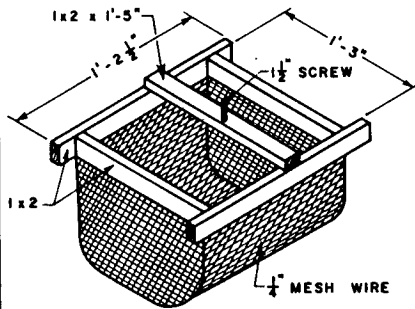
USDA 180 EX. 6324 SHEET 1 OF 1

790-6324

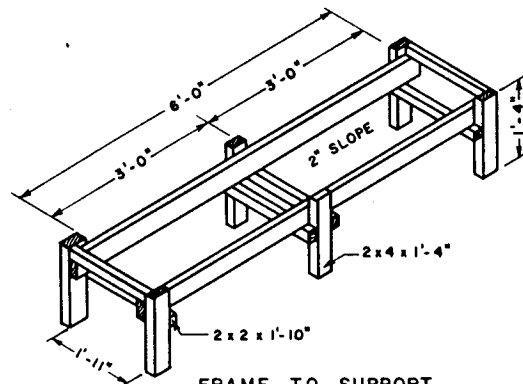
BASED ON FLA. PLAN NO. 920



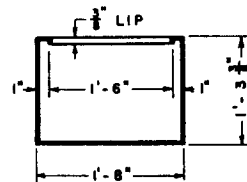
HONEY UNCAPPING TANK



BASKET TO COLLECT WAX CAPPINGS



**FRAME TO SUPPORT
UNCAPPING TANK**



**SECTION THRU
CONSTRUCTED
TANK**

NOTE:
THE UNCAPPING TANK IS USED TO OPEN THE COMBS BEFORE HONEY EXTRACTING. TWO BASKETS MAY BE USED LEAVING APPROXIMATELY 42" TO HANG UNCAPPED COMBS.

MATERIALS:

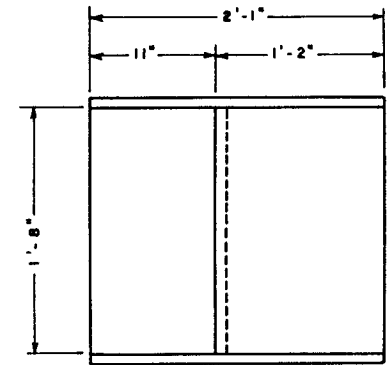
- FRAME** 2x2 x 6'-0" PINE
2x4 x 26'-0" PINE
1 LB. 10s NAILS
- BASKET** 1x2 x 8'-0" PINE
16 1/2" x 5'-0" x 1/4" MESH HDW. CLOTH
- TANK** 4'-2 3/4" 8'-6 3/4"
26 GA. GALVINIZED

HONEYCOMB UNCAPPING TANK

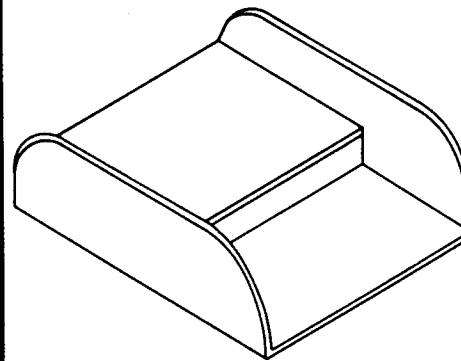
SCALE: NONE



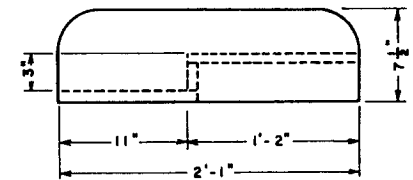
END VIEW



TOP VIEW



ISOMETRIC VIEW



SIDE VIEW

NOTE:
FINISHED UNIT SHOULD BE PAINTED WITH PAINT APPROVED FOR USE IN CONTACT WITH FOOD.

SUPER DUMPING BOARD

SCALE: NONE

COOPERATIVE EXTENSION WORK IN
AGRICULTURE AND HOME ECONOMICS
The Pa. State Univ.

AND
UNITED STATES DEPARTMENT OF AGRICULTURE COOPERATING

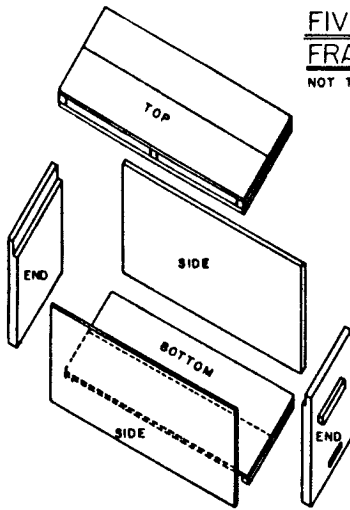
HONEYCOMB UNCAPPING TANK AND
SUPER DUMPING BOARD

USDA '80 EX. 6325 SHEET 1 OF 1

700-6325

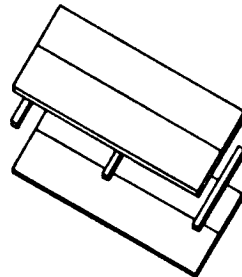
**FIVE DEEP BROOD
FRAME HIVE**

NOT TO SCALE



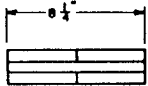
EXPLODED ISOMETRIC VIEW

NOT TO SCALE

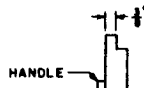


EXPLODED VIEW OF TOP

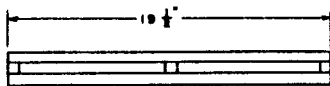
NOT TO SCALE



SIDE

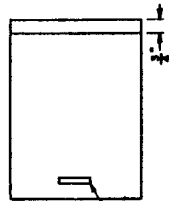


HANDLE

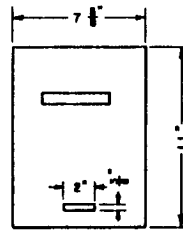


END

SIDE



ENTRANCE
INSIDE



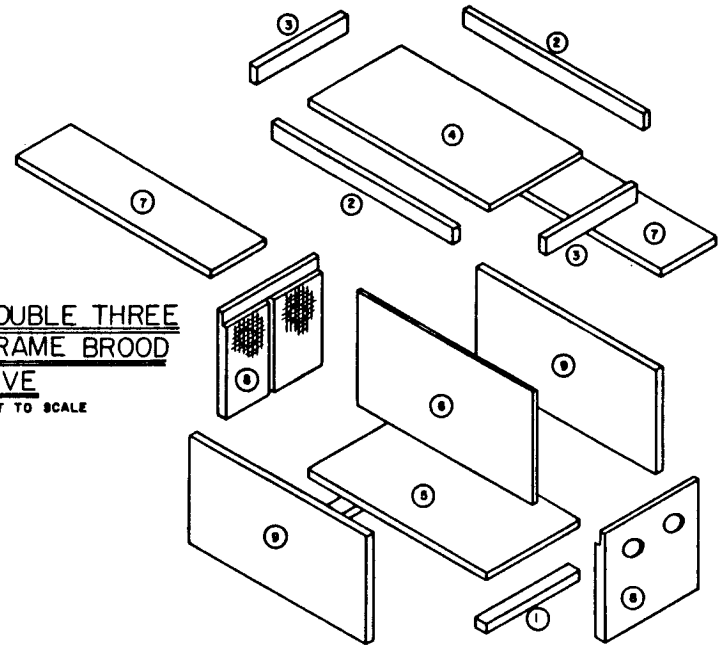
OUTSIDE

VIEW OF TOP

VIEW OF END

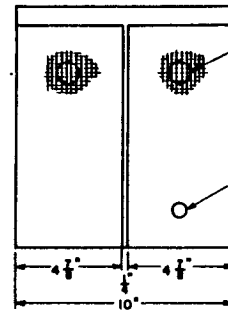
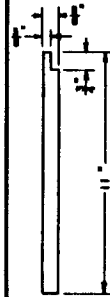
**DOUBLE THREE
FRAME BROOD
HIVE**

NOT TO SCALE



EXPLODED ISOMETRIC VIEW

NOT TO SCALE



1" DIA. VENT
SCREENED

1" DIA. ENTRY

PART NO. 8 - END

PART NO.	LOCATION	SIZE
1	BOTTOM SUPPORT	1" x 10" x 1/2"
2	TOP RAIL	1" x 19" x 1/2"
3	TOP RAIL	1" x 12" x 1/2"
4	TOP	11" x 19" x 1/2"
5	BOTTOM	10" x 18" x 1/2"
6	DIVIDER	10" x 18" x 1/2"
7	INTER-TOP	4" x 18" x 1/2"
8	SIDE	11" x 19" x 1/2"

NOTE:

- PART NO. 6 AND NO. 7 TO BE REMOVABLE, DO NOT GLUE OR NAIL.
- PARTS NO. 1, 2 AND 3 MADE FROM 1 x 2 PINE OR CYPRESS.
- PART NO. 8 MADE FROM 1/2" EXT. A-A PLYWOOD.
- ALL OTHER PARTS OF 1/2" EXT. A-A PLYWOOD.
- TREAT ALL PARTS WITH PENTA SOLUTION.

NOTE: BASED ON UNIV. OF FLA. PLAN NOS. 907 AND 924-R

COOPERATIVE EXTENSION WORK IN
AGRICULTURE AND HOME ECONOMICS
THE PENNSYLVANIA STATE UNIVERSITY
AND
UNITED STATES DEPARTMENT OF AGRICULTURE COOPERATING

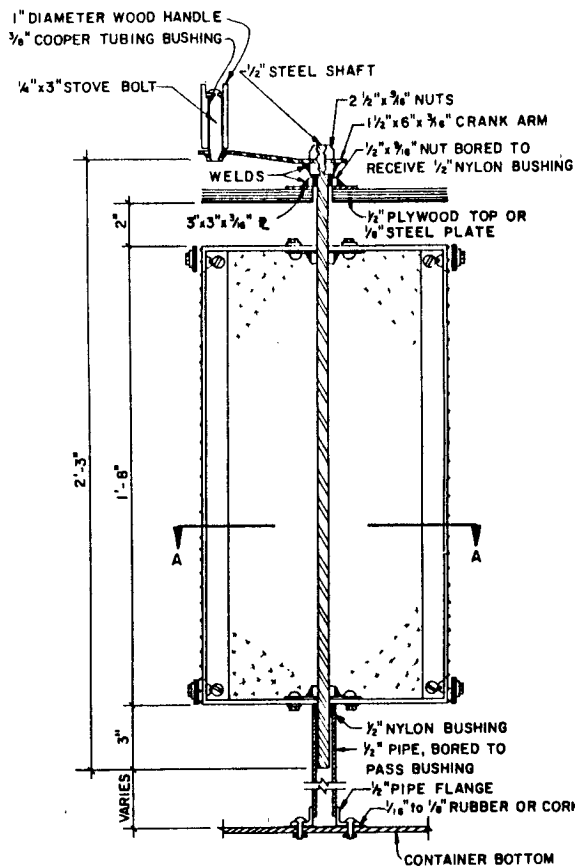
5 & 6 DEEP BROOD HIVE

EX. 6327

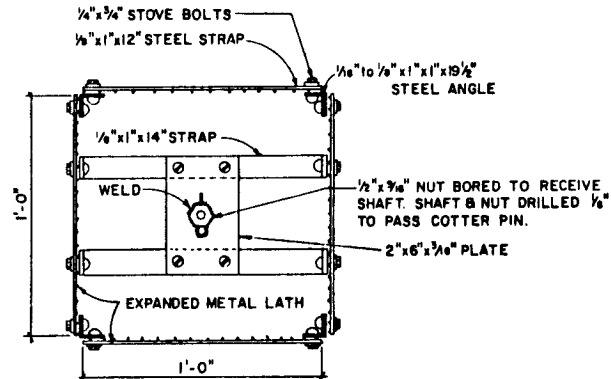
SHEET 1 OF 1

790-6327

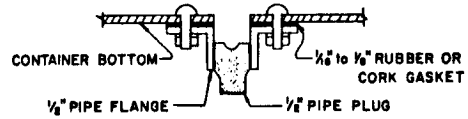
NOTE: THE HONEY EXTRACTOR IS USED TO SPIN THE HONEY OUT OF THE COMBS AFTER THEY HAVE BEEN UNCAPPED. THIS UNIT WILL HANDLE FOUR COMBS AT ONCE. CAUTION SHOULD BE USED WHEN EXTRACTING FROM NEW OR VERY OLD COMBS AS THEY ARE SUBJECT TO BREAKAGE. THESE COMBS SHOULD BE PARTIALLY EMPTIED ON ONE SIDE THEN TURNED AND PARTIALLY EMPTIED ON THE OTHER SIDE, REPEATING THIS PROCEDURE UNTIL ALL HONEY IS REMOVED.



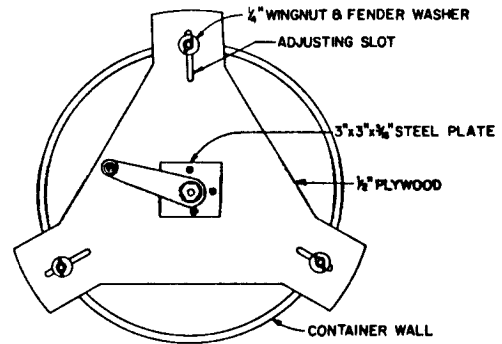
DETAIL 2 - EXTRACTOR PARTIAL SECTION



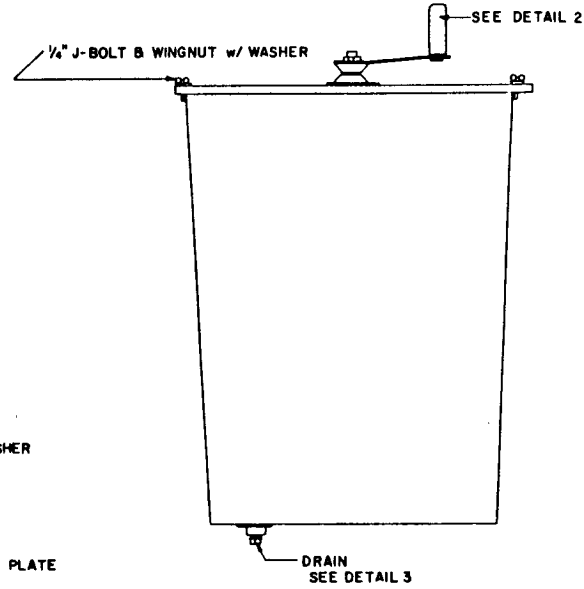
SECTION AA



DETAIL 3 - DRAIN FITTING
NOT TO SCALE



TOP VIEW



SIDE VIEW

COOPERATIVE EXTENSION WORK IN AGRICULTURE AND HOME ECONOMICS		
THE PENNSYLVANIA STATE UNIVERSITY		
AND UNITED STATES DEPARTMENT OF AGRICULTURE COOPERATING		
HONEY EXTRACTOR		
USDA '79	EX 6330	SHEET 1 OF 1
790-6330		